

	<i>Power supply</i>	<i>Absorption</i>	<i>Output N.O.</i>	<i>Range</i>	<i>Degree of protection</i>	<i>Temperature</i>
CELA	24 V=	80 mA	24 V= / 1 A	0,5÷7 m	IP54	-20°C / +55° C
CELAS					-	

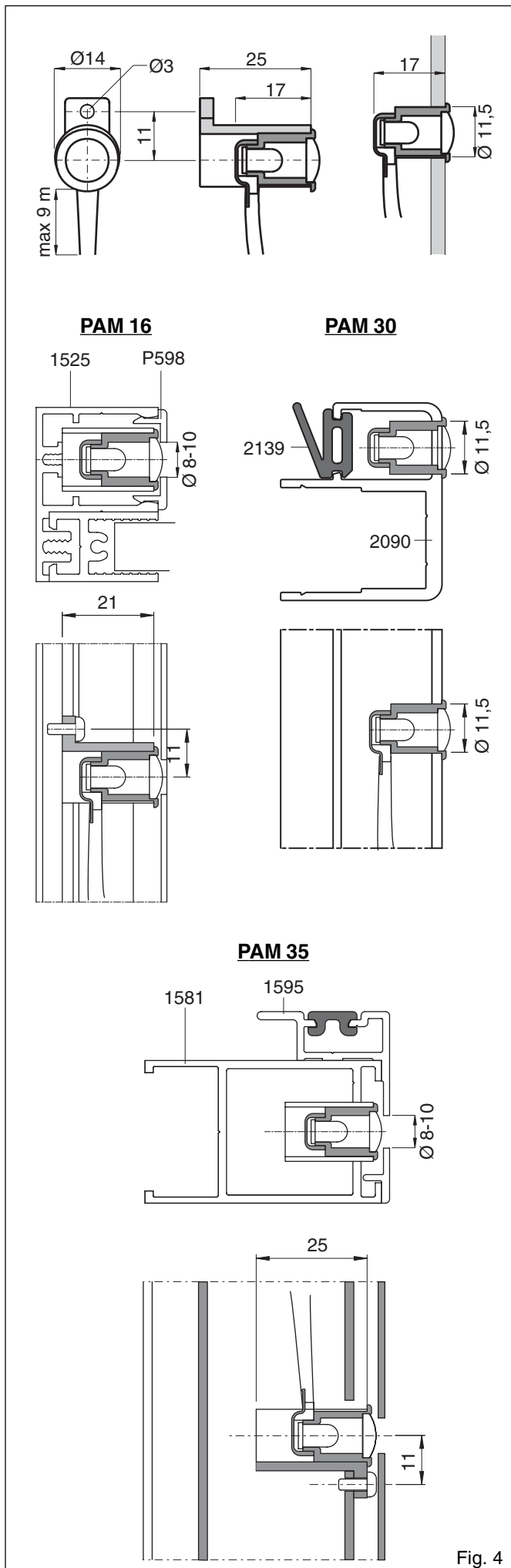



Fig. 4

GENERAL SAFETY PRECAUTIONS

 This installation manual is intended for professionally competent personnel only.

Read the instructions carefully before beginning to install the product. Incorrect installation may be a source of danger. Packaging materials (plastic, polystyrene, etc.) must not be allowed to litter the environment and must be kept out of the reach of children for whom they may be a source of danger. Before beginning the installation check that the product is in perfect condition. For repairs or replacements of product only original spare parts must be used.

These instructions must be kept and forwarded to all possible future user of the system.

1. Use of the photocell as a security device

The CEL photocells may be used to protect against compression, shearing, trapping and general danger areas of the motorized door.

2. Reference

- [A] Shield
- [B] Beam selector (1 = one photocells pair / 2 = two photocells pairs)
- [C] Red LED

3. CEL PR installation

Photocells must be installed in compliance with current regulations and directives.

Figure 4 shows the installations possible in our sections. Optically align R1 (R2) and P1 (P2) (fig. 3). Connect the projectors and the receivers as shown in Figs. 1 and 2. *N.B.: maximum range can only be obtained under optimum working conditions.*

4. CEL A installation

Fix the container of card CEL A and connect to the electric panel as shown in Figure 1. Connect the COM and N.C. terminals of card CEL A to the electric panel terminals 1-8. In case of installation in particularly noisy environments, earth the terminal \oplus .

5. CEL AS installation

Fit the CEL AS card into the appropriate connector in the electric panel (SAFETY).

6. Use of the photocell as an opening control

To use the CEL photocells to open, position R1 (R2) and P1 (P2) so that crossing over by pedestrians causes the door to open. Connect the COM and N.O. terminals of card CEL A to the electric panel terminals 1-3.

Fit the CEL AS card into the appropriate connector (OPEN) in the electric panel .

7. Checking for proper operation

Break off the beam and check for tripping of the relay (audible signal) and coming on of LED [C] on the card.

8. Maintenance (each 6 month)

- For proper photocell operation:
- keep the external surfaces of R1 (R2) and P1 (P2) always clean;
 - check that breaking off of the beam (coming on of LED) causes door reopen.