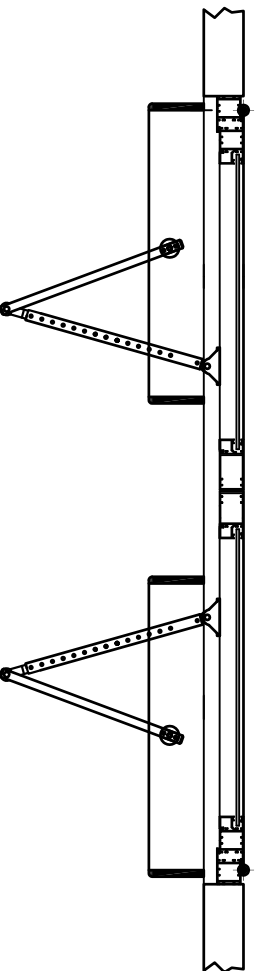


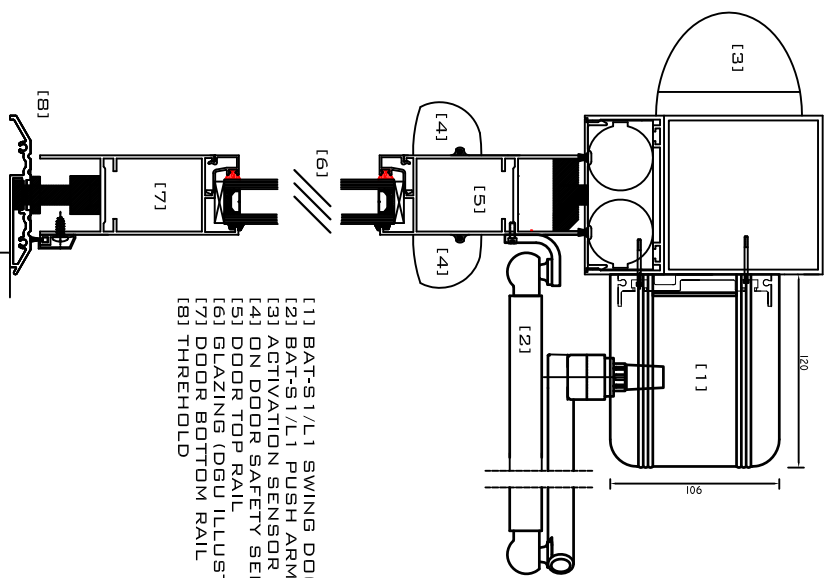
ADSF BAT-S1/L/1
 SWING DOOR OPERATORS
 PUSH ARM (OPEN OUTWARDS) CONFIGURATION
 FRONT ELEVATION 1:1 SCALE



ON PLAN ELEVATION 1:1 SCALE



SIDE ELEVATION 1:3 SCALE



- [1] BAT-S1/L/1 SWING DOOR OPERATOR
- [2] BAT-S1/L/1 PUSH ARM
- [3] ACTIVATION SENSOR
- [4] ON DOOR SAFETY SENSOR
- [5] DOOR TOP RAIL
- [6] GLAZING (DGM ILLUSTRATED)
- [7] DOOR BOTTOM RAIL
- [8] THRESHOLD

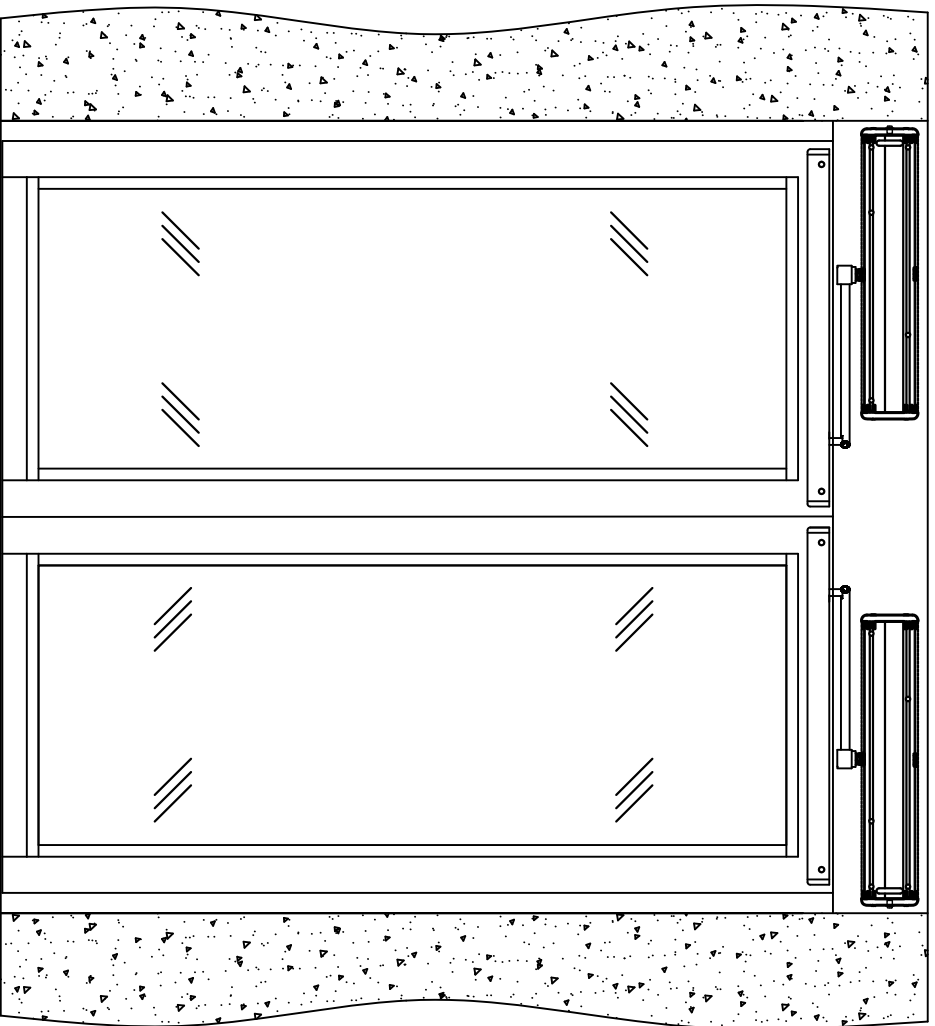
ADSF UK LTD

TEL: 08700 434512
 FAX: 08700 434524

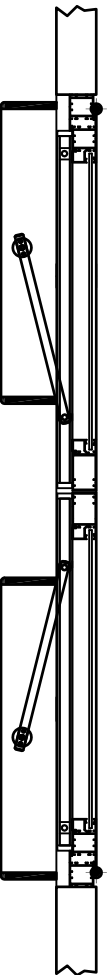
WWW.ADSF.CO.UK



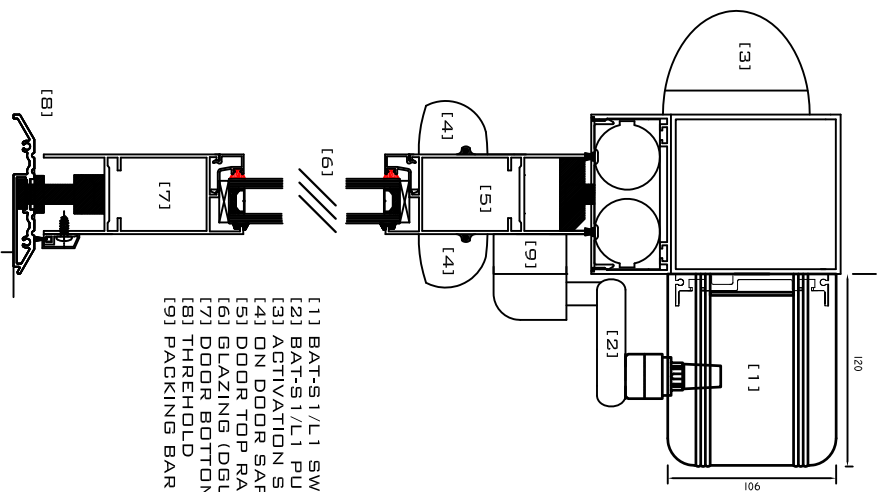
ADSF BAT-S1/L1
 SWING DOOR OPERATORS
 PULL ARM (OPEN INWARDS) CONFIGURATION
 FRONT ELEVATION 1:1 SCALE



ON PLAN ELEVATION 1:1 SCALE



SIDE ELEVATION 1:3 SCALE



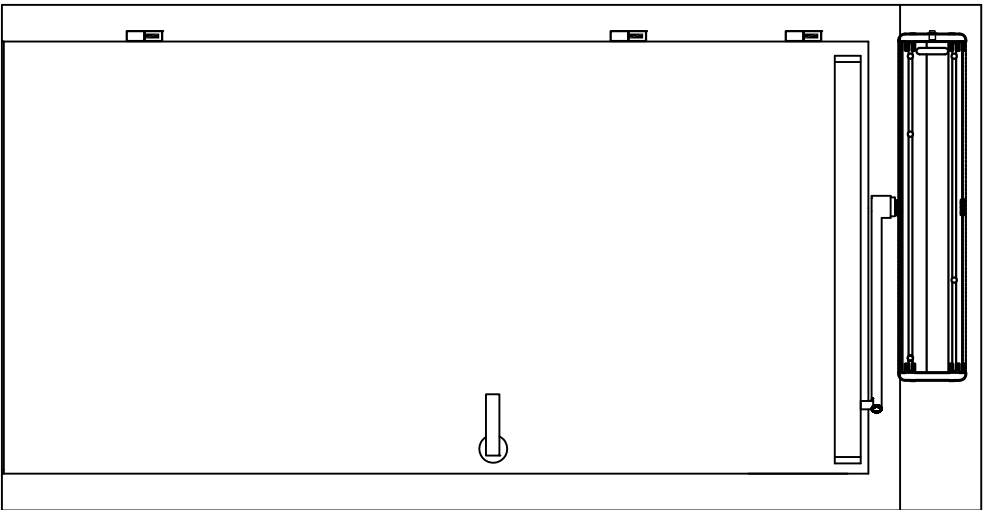
- [1] BAT-S1/L1 SWING DOOR OPERATOR
- [2] BAT-S1/L1 PULL ARM
- [3] ACTIVATION SENSOR
- [4] ON DOOR SAFETY SENSOR
- [5] DOOR TOP RAIL
- [6] GLAZING (D&G ILLUSTRATED)
- [7] DOOR BOTTOM RAIL
- [8] THRESHOLD
- [9] PACKING BAR

ADSF UK LTD

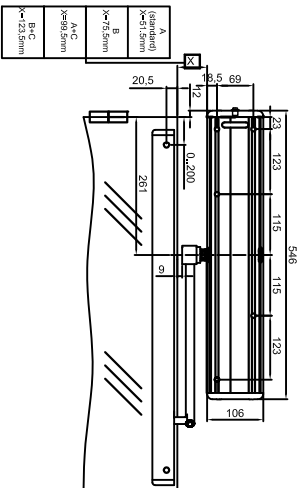
TEL: 08700 434512
 FAX: 08700 434524

WWW.ADSF.CO.UK

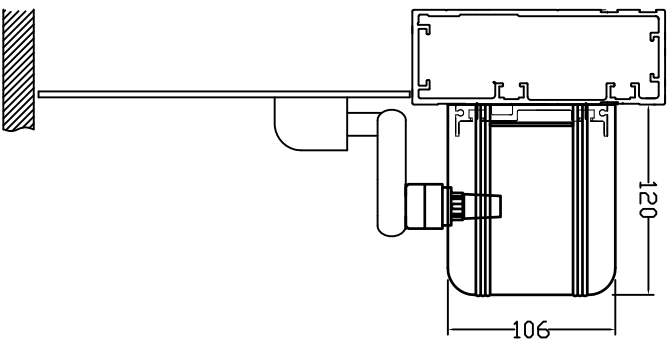




ADSF BAT-S1/L1
SWING DOOR OPERATORS
PULL ARM (OPEN INWARDS) CONFIGURATION
FRONT ELEVATION



ADSF BAT-S1/L1
SWING DOOR OPERATORS
PULL ARM (OPEN INWARDS) CONFIGURATION
FRONT ELEVATION



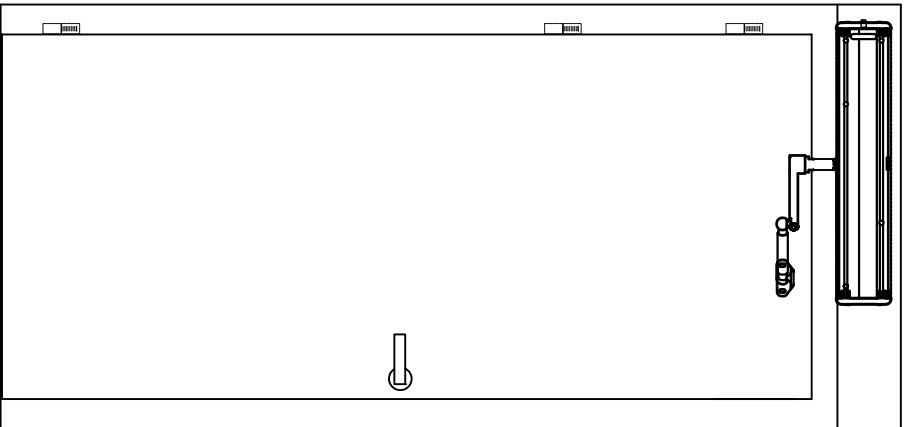
SIDE ELEVATION

ADSF UK LTD

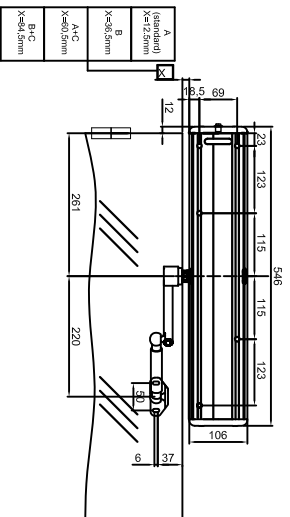
TEL: 08700 434512
FAX: 08700 434524

WWW.ADSF.CO.UK

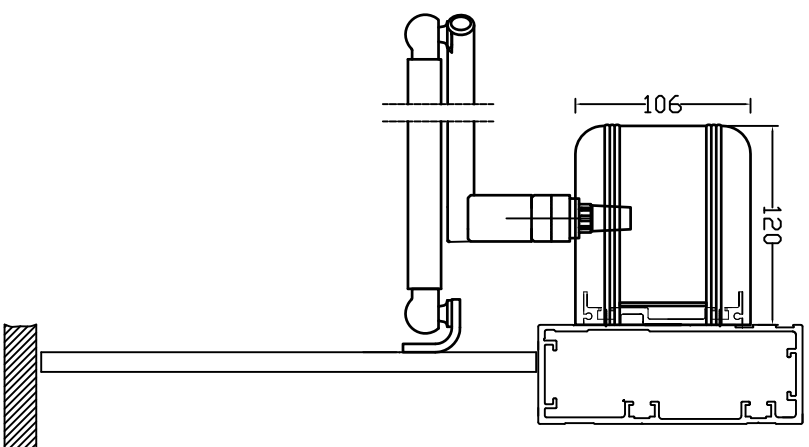




ADSF BAT-S1/L1
SWING DOOR OPERATORS
PUSH ARM (OPEN OUTWARDS) CONFIGURATION
FRONT ELEVATION



ADSF BAT-S1/L1
SWING DOOR OPERATORS
PUSH ARM (OPEN OUTWARDS) CONFIGURATION
FRONT ELEVATION



SIDE ELEVATION

ADSF UK LTD

TEL: 08700 434512
FAX: 08700 434524

WWW.ADSF.CO.UK

